

Hand Pallet Truck (Tandem PU Rollers)

GPT 2500/W/NT

- **2500 Kg Lifting Capacity**
Now your pallet trucks can easily handle heavier pallets, reducing the number of trips for material movement. With a high lift of 200 mm, a wide range of pallets can be handled.
- **Heavy Duty Hydraulic Unit**
Hydraulic pump being a critical part of a pallet truck, needs to withstand thousands of Lift/Lower cycles. This unit in GPT 2500 is easy and inexpensive to maintain, with genuine spare parts that are easily available.
- **High Tensile Steel Forks**
The bend profile of the forks provides extra strength at key stress areas. It also ensures lower wear of forks while handling pallets.
- **Three Position Control Lever For Easy Operation**
An easy to operate 3 position lever, with lower, lift and neutral positions increases productivity. In the neutral position the handle is disconnected from the pump unit, reducing the effort required to travel with load thereby reducing operator fatigue. Spring loaded handle ensures that it returns back to vertical position when released.
- **Tandem Load Rollers For Easy Movement**
Tandem load rollers are provide to ensure that the pallet truck has a constant contact with the ground, even on uneven surfaces. It also provides uniform distribution of load on the rollers, thus increasing their life.
- **Polyurethane Steering And Castor Wheels For Longer Life**
Polyurethane wheels reduce operator effort in handling the load. Further with longer work life, the downtime and maintenance costs are reduced.



Value for money



Rugged and reliable



Long life

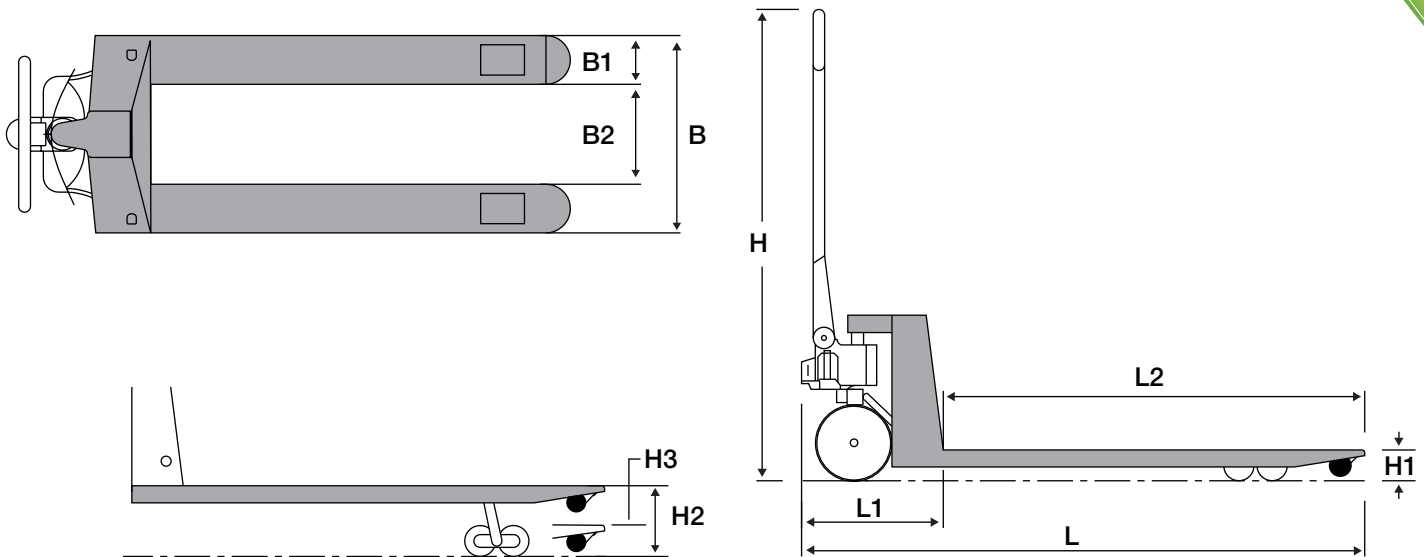


GODREJ 2 TONNE HYDRAULIC PALLET TRUCK

Technical Specifications

| MODEL | | | GPT 2500 | GPT 2500 W | GPT 2500 NT |
|------------------------------------|------|----|----------------------|----------------------|---------------|
| Load Capacity | - | kg | 2500 | 2500 | 2500 |
| Fork length | (L2) | mm | 1150 | 1150 | 1150 |
| Fork Width | (B1) | mm | 160 | 160 | 160 |
| Outside Fork Spread | (B) | mm | 550 | 680 | 550 |
| Inside Fork Spread | (B2) | mm | 230 | 360 | 230 |
| Maximum Fork Height | (H2) | mm | 200 | 205 | 200 |
| Lift | (H3) | mm | 115 | 120 | 115 |
| Lowered Fork Height | (H1) | mm | 85 | 85 | 85 |
| Head Length | (L1) | mm | 415 | 415 | 415 |
| Overall Length | (L) | mm | 1540 | 1540 | 1540 |
| Overall Height | (H) | mm | 1220 | 1220 | 1220 |
| Truck Weight | - | kg | 66 | 66 | 66 |
| Steering Wheels (Diameter X Width) | - | mm | Ø180 X 50 | Ø180 X 50 | Ø170 X 50 |
| Load Wheel (Diameter X Width) | - | mm | Ø80 X 70 | Ø80 X 70 | Ø80 X 70 |
| Load Wheel Type | - | - | Tandem, Polyurethane | Tandem, Polyurethane | Tandem, Nylon |
| Drive Wheel Type | - | - | Polyurethane | Polyurethane | Nylon |
| Colour | - | - | Red | Red | Red |

Note: All dimensions and specification indicated above are subject to a variation of $\pm 15\%$ without notice.



Therefore Design HAND PALLET TRUCK Rev1/12/2013



Head Office Address
GODREJ & BOYCE MFG. CO. LTD.
 Plant 16, Pirojshanagar,
 Vikhroli, Mumbai - 400 079. INDIA
 Tel: +91 22 6796 4660 / 73
 Fax: +91 22 6796 1519
 Email: mhemktg@godrej.com
 Toll Free Helpline: 1 - 800-22-5454

Branches & Service Centres

Mumbai : 022 67961725
 Indore : 0731 4069335
 Kochi : 0484 6612777
 Delhi : 011 66507340
 Lucknow : 0522 6754961
 Pune : 020 66255121
 Chennai : 044 66544431
 Kolkata : 033 66013771
 Guwahati : 03612 468242
 Raipur : 0771 6606606

Hyderabad : 040 66431203
 Chandigarh : 0172 5012525
 Bangalore : 080 66472251
 Ahmedabad : 079 66060646
 Jaipur : 0141 6701441
 Vizag : 0891 2517930
 Bhubaneshwar : 0674 2583810 / 0674 2580609
 Coimbatore : 0422 2545799 / 599
 UAE : 0097155 899 2305 / 2316